



# Connectivity Solutions

Complete or Partial Part #,  
Competitor Part # or  
Keywords.

Wireless

CATV

Audio &amp; Video

Networking &  
Structured Wiring

Military &amp; Aerospace

Test &amp; Measurement

Home

Member Access

Products

Connectors

Microwave Components

CATV Components

Coaxial Cable Assemblies

Structured Cabling &amp; Connectors

Tools &amp; Accessories

Customer Service

Request For Quote

Representatives

Distributors

Literature/Catalog Request

What's New

About Our Brands

Legal Terms

© 2007 All Rights Reserved

## Product Detail



<b>Product Line:</b>	<a href="#">Johnson</a> (Click for customer service)
<b>Part Number:</b>	108-0906-001
<b>Description:</b>	Banana Jack - Insulated Solder Terminal
<b>Product Family:</b>	BANANA JACK
<b>Body Material:</b>	Brass per QQ-B-626D
<b>Breakdown Voltage:</b>	7000 Vrms min.
<b>Color / Finish:</b>	Orange
<b>Contact Material:</b>	Brass
<b>Contact Finish:</b>	Tin
<b>Contact Termination:</b>	Solder
<b>Current:</b>	15 amps
<b>Description:</b>	Insulated Solder Terminal
<b>For Use With:</b>	.175 (4.44) Banana Plug
<b>Panel Thickness:</b>	Up to .343 (8.80)
<b>RoHS Compliant:</b>	Yes

20070523-1523

# Banana Jack - Insulated Solder Terminal

## SPECIFICATIONS

**Contact:** Formed brass per QQ-B-626D

**Finish:** Bright tin

**Body:** Nylon 6/6 per ASTM D4066

**Hardware:** Nickel plated nut (unassembled)

**Body Thread Stripping Torque:** 6.0 lb. in. (7kg. cm.)

**Panel Thickness:** Up to .343 (8.80)

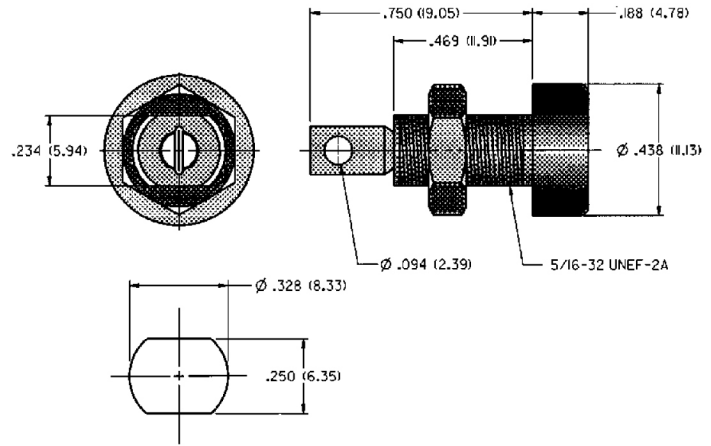
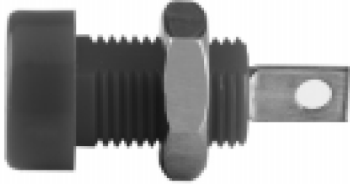
## RATINGS

**Current:** 15 amps

**Breakdown Voltage:** 7000 Vrms minimum †

**Contact Resistance:** 0.010 ohms maximum

**Contact-To-Panel:** 2.4 pF nominal



MOUNTING HOLE LAYOUT

<b>BRIGHT TIN PLATING</b>
---------------------------

108-0906-001 Orange
---------------------

**For Standard Banana Plug: .175 (4.44) Across Flats**

## FEATURES:

- Keyed mounting with double flats
- Accepts up to 16 gauge wire
- Nylon UL approved for self extinguishing